

Catalog Number

- **FIXTURE**
DIV - Divisio
- **LENGTH**
4 - Four foot nominal length
5 - Five foot nominal length
- **VOLTAGE**
120 - 120 Volt
277 - 277 Volt
- **OPTIONS**
BLU - Blue colored tinting strips
GRN - Green colored tinting strips
RED - Red colored tinting strips
YEL - Yellow colored tinting strips

EXAMPLE: DIV-4-120

Specifications

CONSTRUCTION

Main body of fixture constructed of extruded AlMgZn alloy. End caps constructed of high pressure injection molded polycarbonate.

SHIELDING

Alano-d material louver. Specular louver meets RP-1 standards for office lighting. Louver is covered by slotted steel diffuser (see reverse for detail). Side diffusion panels constructed of hollow wall polycarbonate extrusions for even light distribution and low luminance lev-

els. Color shields in green, yellow, red, or blue may be specified to change the color of the acrylic diffusers.

FINISH

Extruded body finished with steel grey rough-ened finish.

ELECTRICAL

Specify 120 volt or 277 volt. Fixture and all electrical components are U.L./C.U.L listed. Supplied with internal electronic ballast.

LAMPING

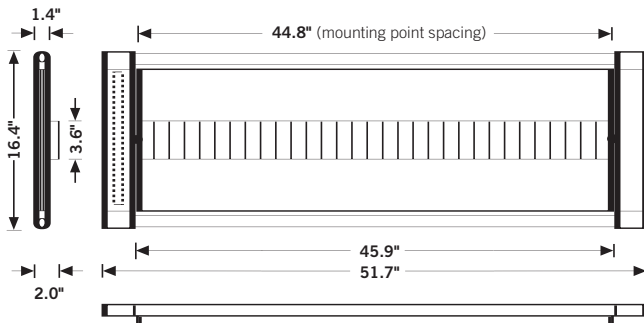
Four foot fixture uses two 54W high-output T5 lamps, five foot fixture uses two 80W high-output T5 lamps. Lamps not included.

MOUNTING

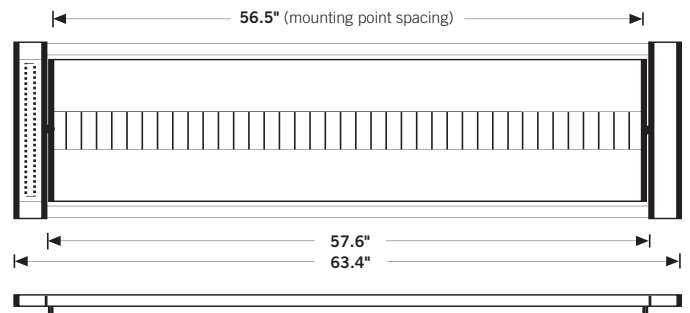
For continuous row-mount, consult factory. Fully adjustable aircraft cable supplied as standard with length of 66". See reverse for detail.

Dimensions

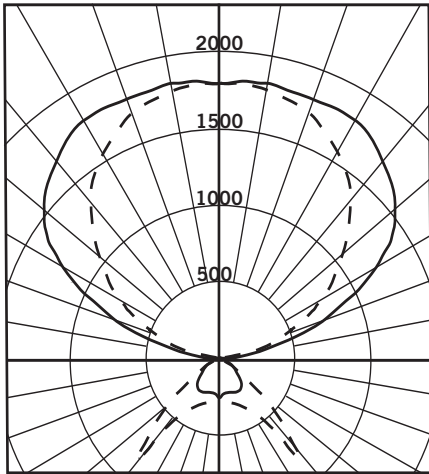
FOUR FOOT FIXTURE



FIVE FOOT FIXTURE



Photometrics



CANDELA DISTRIBUTION

	0	45	90
0	254	254	254
5	248	254	260
15	233	253	286
25	248	298	324
35	258	470	432
45	235	618	678
55	172	318	156
65	124	86	55
75	71	50	29
85	19	16	11
95	62	87	87
105	251	514	327
115	1004	948	626
125	1220	1237	931
135	1635	1454	1224
145	1774	1602	1469
155	1825	1703	1655
165	1821	1789	1764
175	1833	1816	1811
180	1811	1811	1811

LUMINAIRE

Description: Four foot Divisio with 2 high-output T5 lamps

Catalog Number: DIV-4-120

Efficiency: 83.9%

ZONAL LUMEN SUMMARY

ZONE	LUMENS	% LAMP	% FIXT
0 - 30	235.0	2.6	3.1
0 - 40	511.2	5.7	6.8
0 - 60	1136.3	12.8	15.2
60 - 90	163.5	1.8	2.2
0 - 90	1299.8	14.6	17.4
90 - 180	6167.7	69.3	82.6
0 - 180	7467.5	83.9	100

LUMINANCE (Candela / sq meter)

ANGLE	0-DEG	45-DEG	90-DEG
45	891	2344	2571
55	802	1485	727
65	786	546	346
75	738	522	296
85	589	482	353



COEFFICIENTS OF UTILIZATION

PCC PW RCR	80				70				50			10			0
	70	50	30	10	70	50	30	10	50	30	10	50	30	10	10
0	.83	.83	.83	.83	.73	.73	.73	.73	.55	.55	.55	.22	.22	.22	.15
1	.76	.73	.69	.67	.67	.64	.61	.59	.48	.46	.45	.19	.19	.19	.12
2	.69	.63	.59	.54	.61	.56	.52	.49	.42	.39	.37	.17	.16	.16	.10
3	.63	.56	.50	.45	.55	.49	.44	.40	.37	.34	.31	.15	.14	.13	.09
4	.57	.49	.43	.38	.50	.43	.38	.34	.33	.29	.26	.13	.12	.11	.07
5	.53	.43	.37	.32	.46	.38	.33	.29	.29	.25	.22	.12	.11	.10	.06
6	.48	.39	.32	.27	.42	.34	.29	.25	.26	.22	.19	.11	.09	.08	.05
7	.44	.34	.28	.24	.39	.31	.25	.21	.23	.19	.17	.10	.08	.07	.05
8	.41	.31	.25	.21	.36	.28	.22	.19	.21	.17	.14	.09	.07	.06	.04
9	.38	.28	.22	.18	.33	.25	.20	.16	.19	.15	.13	.08	.07	.06	.04

Details



SUSPENSION MECHANISM

Suspension mechanism is three-point anchor system, consisting of two at the fixture end, and one above the fixture as shown. Fixture mounts to ceiling at two points, one on each end of the fixture. Power cord is light gray.



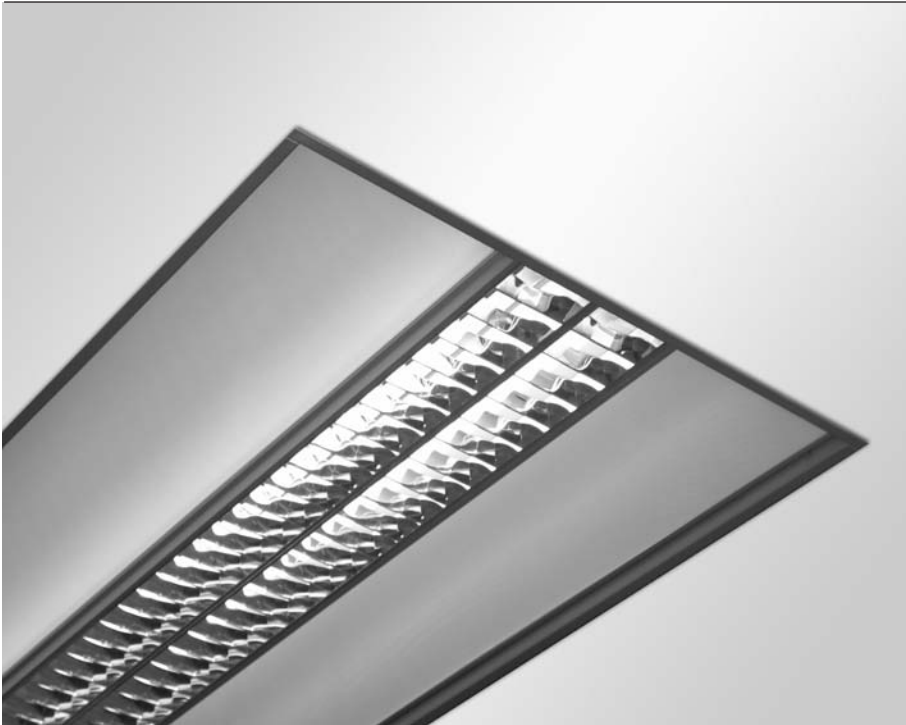
LOUVER SHIELDING

Louver is shielded by slotted metal strip to prevent overhead glare. Light is dispersed through the slots in the shielding and reflected off the louver for maximum comfort and glare control.



RECESSED DIVISIO

énergie™



Catalog Number

FIXTURE

DIR – Recessed Divisio

VOLTAGE

120 – 120 Volt

277 – 277 Volt

EXAMPLE: DIR-120

Specifications

CONSTRUCTION

Main body of fixture constructed of steel.

SHIELDING

Alano® louver. Side diffuser panels constructed of polycarbonate extrusions for even light distribution and low luminance levels.

FINISH

Fixture trim has gray finish.

ELECTRICAL

Specify 120 volt or 277 volt. Fixture and all electrical components are U.L./C.U.L. listed. Supplied with internal electronic ballast.

LAMPING

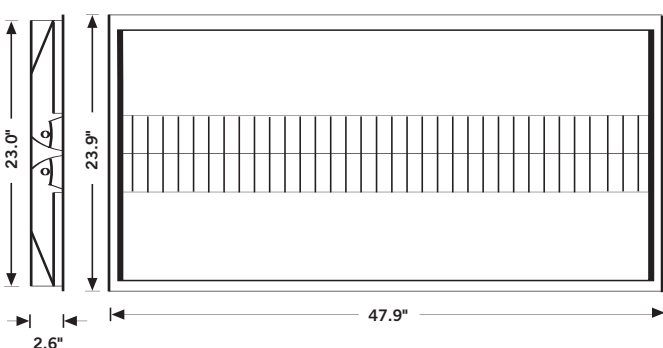
Two 28 watt T5 lamps. Lamps not included.

MOUNTING

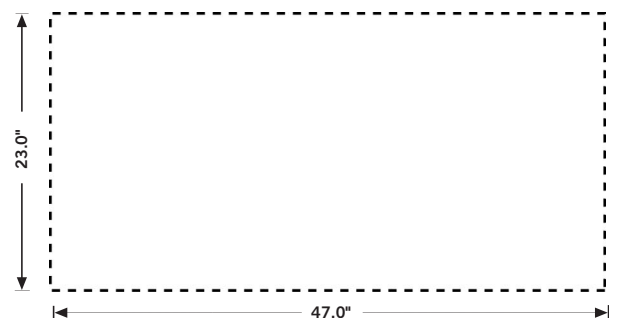
Fixture may be recessed into hard or grid ceilings.

Dimensions

FIXTURE



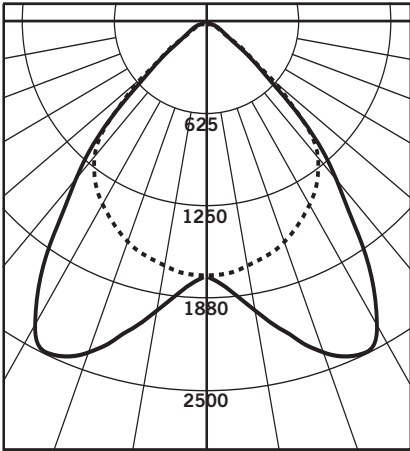
CEILING CUT-OUT



RECESSED DIVISIO

énergie™

Photometrics



CANDELA DISTRIBUTION

	0	45	90
0	1729	1729	1729
5	1803	1479	1722
15	2211	1872	1654
25	2504	1970	1515
35	1988	1936	1339
45	967	1433	1027
55	339	507	312
65	218	154	124
75	100	78	60
85	11	13	10
95	0	0	0
105	0	0	0
115	0	0	0
125	0	0	0
135	0	0	0
145	0	0	0
155	0	0	0
165	0	0	0
175	0	0	0
180	0	0	0

LUMINAIRE

Description: Recessed Divisio with 2 T5 lamps.

Catalog Number: DIR-120

Efficiency: 80.1%

ZONAL LUMEN SUMMARY

ZONE	LUMENS	% LAMP	% FIXT
0 - 30	1706.4	30.5	38.1
0 - 40	2872.4	51.3	64.1
0 - 60	4195.8	74.9	93.5
0 - 90	4486.1	80.1	100
90 - 180	0.0	0.0	0.0
0 - 180	4486.1	80.1	100

LUMINANCE (Candela / sq meter)

ANGLE	0-DEG	45-DEG	90-DEG
45	2244	3071	2382
55	970	1449	893
65	849	712	4820
75	634	572	380
85	208	251	196



COEFFICIENTS OF UTILIZATION

PCC	80				70				50			10			0
	70	50	30	10	70	50	30	10	50	30	10	50	30	10	10
PW															
RCR															
1	.95	.95	.95	.95	.93	.93	.93	.93	.89	.89	.89	.82	.82	.82	.80
2	.89	.86	.83	.81	.87	.84	.82	.80	.81	.79	.77	.75	.74	.73	.71
3	.83	.77	.73	.69	.81	.76	.72	.69	.73	.70	.67	.68	.66	.64	.63
4	.77	.70	.64	.60	.75	.69	.64	.60	.66	.62	.59	.62	.59	.57	.55
5	.71	.63	.57	.53	.69	.62	.57	.52	.60	.55	.52	.57	.53	.50	.49
6	.66	.57	.51	.46	.64	.56	.51	.46	.55	.50	.46	.52	.48	.45	.43
7	.61	.52	.46	.41	.60	.51	.45	.41	.50	.45	.41	.48	.43	.40	.39
8	.57	.48	.41	.37	.56	.47	.41	.37	.46	.41	.37	.44	.39	.36	.35
9	.53	.44	.38	.33	.52	.43	.37	.33	.42	.37	.33	.40	.36	.33	.31
9	.50	.40	.34	.30	.49	.40	.34	.30	.39	.34	.30	.37	.33	.30	.28

Installation instructions and ies files may be found at www.energielighting.com.

Energie LLC, 405 Urban Street, Ste 402 Lakewood, CO 80228 Tel 720 963 8055 Fax 720 963 8044 www.energielighting.com

In an effort to continually improve our products, we reserve the right to change or modify designs and/or materials without prior notice.

All rights reserved. These products may be covered by one or more U.S. or international patents or patents pending. 1/04

