

CENTRA 1

énergie®



Catalog Number

FIXTURE

CEN1 - Centra 1

VOLTAGE

120 - 120 Volt
277 - 277 Volt

MOUNTING

HRD - Surface mount, hard ceiling
GRD - Surface mount, grid ceiling

OPTIONS

DIM - Electronic dimming

EXAMPLE: CEN1-120-HRD

Specifications

CONSTRUCTION

Fixture elements and ceiling reflector are anodized aluminum and chrome. Decorative ring is float glass.

FINISH

Steel rods, circular lamp housing and top plate have chromed finish.

SHIELDING

Downlight reflector is spun aluminum.

ELECTRICAL

Specify 120 or 277 volt. Fixture and all electrical components are U.L./C.U.L. listed. Supplied with (2) internal electronic ballasts, allowing for separate switching if desired. Dimming may be specified.

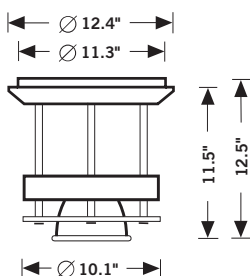
LAMPING

Three 26 watt quad-pin fluorescent lamps. Lamps not included.

MOUNTING

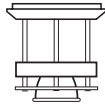
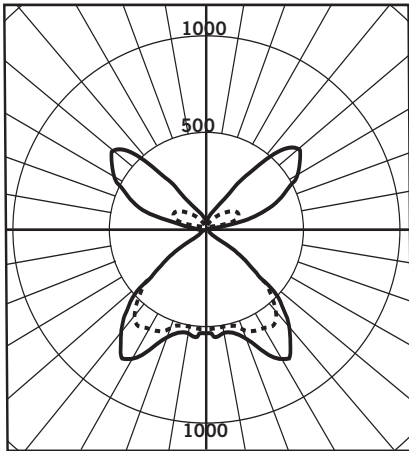
Fixture is surface mounted. Specify grid or hard ceiling mount. Fixture is shipped fully assembled.

Dimensions



CENTRA 1

Photometrics



LUMINAIRE

Description: Centra 1 with three 26 watt quad-pin fluorescent lamps.

Catalog Number: CEN1-120-HRD

Efficiency: 58.2%

ZONAL LUMEN SUMMARY

ZONE	LUMENS	% LAMP	% FIXT
0 - 30	509.4	9.4	16.2
0 - 40	950.2	17.6	30.2
0 - 60	1496.4	27.7	47.6
60 - 90	52.9	1.0	1.7
0 - 90	1549.3	28.7	49.3
90 - 180	1595.1	29.5	50.7
0 - 180	3144.4	58.2	100.0

COEFFICIENTS OF UTILIZATION

PCC PW RCR	80				70				50			10			0
	70	50	30	10	70	50	30	10	50	30	10	50	30	10	10
0	.62	.62	.62	.62	.57	.57	.57	.57	.48	.48	.48	.32	.32	.32	.29
1	.58	.55	.53	.52	.53	.51	.49	.48	.43	.42	.41	.30	.29	.29	.26
2	.53	.49	.46	.43	.49	.46	.43	.40	.39	.37	.35	.27	.26	.25	.23
3	.49	.44	.40	.37	.45	.41	.37	.34	.35	.32	.30	.24	.23	.22	.20
4	.45	.39	.35	.31	.41	.36	.33	.30	.31	.28	.26	.22	.21	.19	.17
5	.41	.35	.30	.27	.38	.34	.29	.26	.28	.25	.23	.20	.18	.17	.15
6	.38	.31	.27	.24	.35	.29	.25	.22	.25	.22	.20	.18	.17	.15	.14
7	.35	.28	.24	.21	.32	.27	.23	.20	.24	.20	.18	.17	.15	.14	.12
8	.33	.26	.21	.18	.30	.24	.20	.18	.21	.18	.16	.15	.13	.12	.11
9	.30	.23	.19	.16	.28	.22	.18	.16	.19	.16	.14	.14	.12	.11	.10
10	.28	.21	.17	.15	.26	.20	.16	.14	.18	.15	.13	.13	.11	.10	.09

Installation instructions and ies files may be found at www.energielighting.com.



CENTRA 2

énergie®



Catalog Number

FIXTURE

CEN2 – Centra 2

VOLTAGE

120 – 120 Volt

277 – 277 Volt

MOUNTING

PEN – Pendant mount

HRD – Surface mount, hard ceiling

GRD – Surface mount, grid ceiling

OPTIONS

DIM – Electronic dimming

EXAMPLE: CEN2-277-HRD

Specifications

CONSTRUCTION

Fixture elements and ceiling reflector are anodized aluminum and chrome. Decorative ring is float glass. Upper ring is frosted glass.

FINISH

Steel rods, circular lamp housing and top plate have chromed finish.

SHIELDING

Downlight reflector is spun aluminum.

ELECTRICAL

Specify 120 or 277 volt. Fixture and all electrical components are U.L./C.U.L. listed. Supplied with (2) internal electronic ballasts, allowing for separate switching if desired. Dimming may be specified.

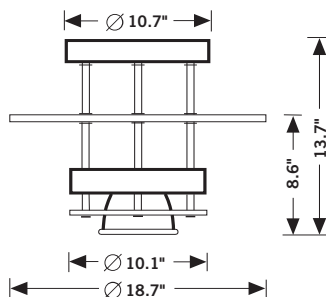
LAMPING

Three 26 watt quad-pin fluorescent lamps. Lamps not included.

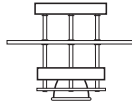
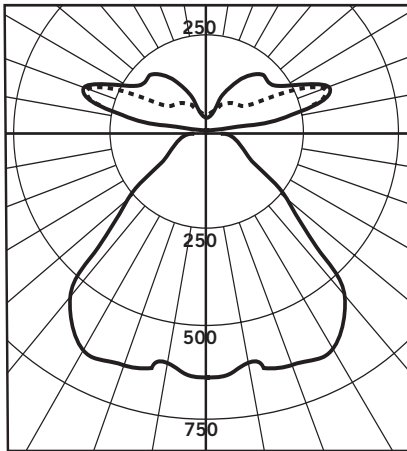
MOUNTING

Fixture may be either pendant or surface mounted. See reverse for pendant mounting detail. Specify grid or hard ceiling for surface mounting. Fixture is shipped fully assembled.

Dimensions



Photometrics



LUMINAIRE

Description: Centra 2 with three 26 Watt quad-pin fluorescent lamps.

Catalog Number: CEN2-277-HRD

Efficiency: 52.3%

ZONAL LUMEN SUMMARY

ZONE	LUMENS	% LAMP	% FIXT
0 - 30	541.4	10.0	19.2
0 - 40	919.7	17.0	32.5
0 - 60	1420.2	26.3	50.3
60 - 90	239.4	4.4	8.5
0 - 90	1659.7	30.7	58.7
90 - 180	1166.7	21.6	41.3
0 - 180	2826.4	52.3	100.0

COEFFICIENTS OF UTILIZATION

PCC PW RCR	80				70				50			10			0
	70	50	30	10	70	50	30	10	50	30	10	50	30	10	10
0	.57	.57	.57	.57	.53	.53	.53	.53	.46	.46	.46	.34	.34	.34	.31
1	.52	.50	.48	.46	.49	.47	.45	.44	.41	.39	.38	.30	.29	.29	.26
2	.48	.44	.41	.38	.45	.41	.39	.36	.36	.34	.32	.27	.26	.25	.22
3	.44	.39	.35	.32	.41	.37	.33	.31	.32	.30	.28	.24	.23	.21	.19
4	.40	.35	.31	.28	.38	.33	.29	.26	.29	.26	.24	.22	.20	.19	.17
5	.37	.31	.27	.24	.35	.29	.26	.23	.26	.23	.21	.20	.18	.17	.15
6	.34	.28	.24	.21	.32	.27	.23	.20	.24	.20	.18	.18	.16	.15	.13
7	.32	.26	.21	.19	.30	.24	.20	.18	.21	.18	.16	.16	.15	.13	.15
8	.30	.23	.19	.16	.28	.22	.18	.16	.20	.17	.14	.15	.13	.12	.11
9	.28	.21	.17	.15	.26	.20	.17	.14	.18	.15	.13	.14	.12	.11	.10
10	.26	.20	.16	.13	.24	.19	.15	.13	.17	.14	.12	.13	.11	.10	.09

Pendant Mounting Diagram



PENDANT MOUNT

Pendant mount version suspended with four aircraft cables, up to 78" in length. Aircraft cable is fully adjustable.

Installation instructions and ies files may be found at www.energielighting.com.

CENTRA 3

énergie®



Catalog Number

FIXTURE

CEN3 – Centra 3

VOLTAGE

120 – 120 Volt
277 – 277 Volt

MOUNTING

HRD – Surface mount, hard ceiling
GRD – Surface mount, grid ceiling

OPTIONS

DIM – Electronic dimming

EXAMPLE: CEN3-120-HRD

Specifications

CONSTRUCTION

All surround elements of fixture constructed of steel. Decorative ring is float glass. Reflecting disk constructed of post-anodized, 99.99% pure aluminum, spun to ensure maximum glare reduction.

SHIELDING

Downlight reflector is spun aluminum.

FINISH

Steel rods and circular lamp housing are chromed finish.

ELECTRICAL

Specify 120 or 277 volt. Fixture and all electrical components are U.L./C.U.L. listed. Supplied with (2) internal electronic ballasts, allowing for separate switching if desired. Dimming may be specified.

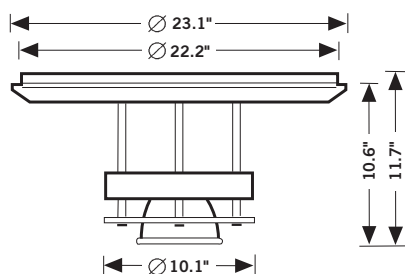
LAMPING

Three 26 watt quad-pin fluorescent lamps. Lamps not included.

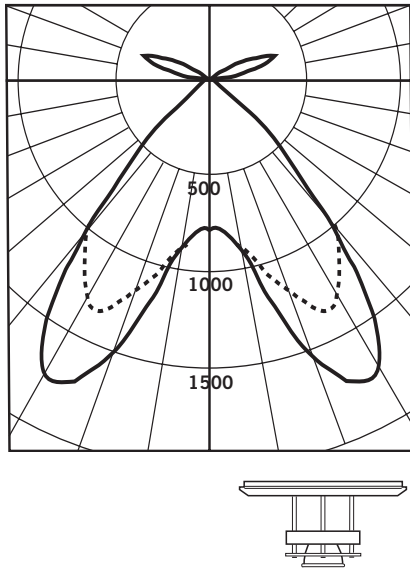
MOUNTING

Fixture is surface mounted. Specify grid or hard ceiling surface mount. See reverse for mounting detail. Fixture is shipped fully assembled.

Dimensions



Photometrics



LUMINAIRE

Description: Centra 3 with three 26 watt quad-pin fluorescent lamps.

Catalog Number: CEN3-120-GRD

Efficiency: 59.1%

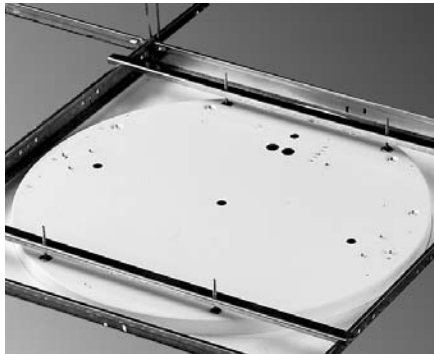
ZONAL LUMEN SUMMARY

ZONE	LUMENS	% LAMP	% FIXT
0 - 30	1124.8	20.8	35.2
0 - 40	1959.6	36.3	61.4
0 - 60	2516.7	46.6	78.8
60 - 90	21.3	0.4	0.7
0 - 90	2538.1	47.0	79.5
90 - 180	654.0	12.1	20.5
0 - 180	3192.0	59.1	100.0

COEFFICIENTS OF UTILIZATION

PCC PW RCR	80				70				50			10			0
	70	50	30	10	70	50	30	10	50	30	10	50	30	10	10
0	.67	.67	.67	.67	.65	.65	.65	.65	.59	.59	.59	.49	.49	.49	.47
1	.63	.61	.59	.58	.61	.59	.57	.56	.54	.53	.52	.46	.45	.45	.43
2	.59	.55	.53	.50	.57	.53	.51	.49	.49	.47	.46	.43	.41	.40	.39
3	.55	.50	.47	.44	.53	.48	.45	.43	.45	.43	.40	.39	.38	.36	.35
4	.51	.46	.42	.39	.49	.44	.40	.38	.41	.38	.36	.36	.34	.33	.31
5	.48	.42	.37	.34	.46	.40	.36	.33	.38	.34	.32	.33	.31	.29	.28
6	.44	.38	.34	.30	.43	.37	.33	.30	.35	.31	.29	.31	.28	.26	.25
7	.41	.35	.30	.27	.40	.34	.30	.27	.32	.28	.26	.28	.26	.24	.23
8	.39	.32	.27	.25	.37	.31	.27	.24	.29	.26	.23	.26	.24	.22	.21
9	.36	.29	.25	.22	.35	.28	.25	.22	.27	.24	.21	.24	.22	.20	.19
10	.34	.27	.23	.20	.32	.26	.22	.20	.25	.22	.19	.22	.20	.18	.17

Mounting Diagrams



MOUNTING PLATE

Mounting plate included with fixture. Mounting plate is white-coated sheet steel, and is used for mounting on both grid or hard ceilings. Support rods supplied for grid ceiling mount only.

Installation instructions and ies files may be found at www.energielighting.com.

CENTRA 4

énergie®



Catalog Number

FIXTURE

CEN4 – Centra 4

VOLTAGE

120 – 120 Volt

277 – 277 Volt

MOUNTING

PEN – Pendant Mount

HRD – Surface mount, hard ceiling

GRD – Surface mount, grid ceiling

OPTIONS

DIM – Electronic dimming

EXAMPLE: CEN4-277-HRD

Specifications

CONSTRUCTION

All surround elements of fixture constructed of steel. Lower, decorative ring is float glass. Reflecting disk constructed of post-anodized, 99.99% pure aluminum, spun to ensure maximum glare reduction.

SHIELDING

Downlight reflector is spun aluminum.

FINISH

Steel rods, circular lamp housing and top plate have chromed finish.

ELECTRICAL

Specify 120 or 277 volt. Fixture and all electrical components are U.L./C.U.L. listed.

Supplied with (2) internal electronic ballasts, allowing for separate switching if desired.

Dimming may be specified.

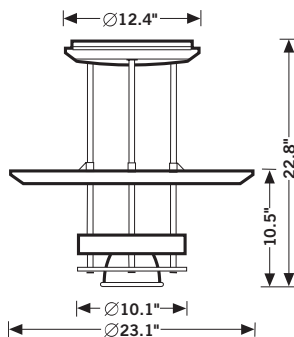
LAMPING

Three 26 watt quad-pin fluorescent lamps. Lamps not included.

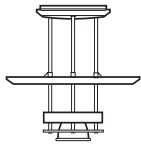
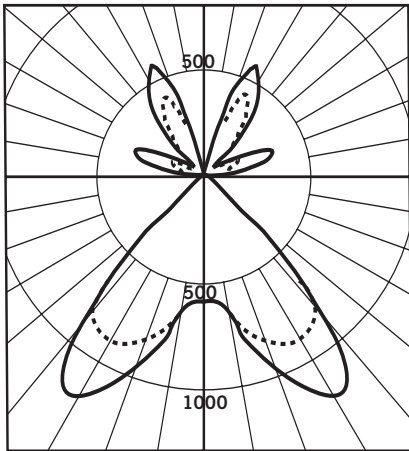
MOUNTING

Fixture may be either pendant or surface mounted. See reverse for pendant mounting detail. Specify grid or hard ceiling for surface mounting. Fixture is shipped as 2 pieces – large ring and main housing. Assembly is tool-less.

Dimensions



Photometrics



LUMINAIRE

Description: Centra 4 with three 26 watt quad-pin fluorescent lamps.

Catalog Number: CEN4-277-PEN

Efficiency: 58.5%

ZONAL LUMEN SUMMARY

ZONE	LUMENS	% LAMP	% FIXT
0 - 30	747.1	13.8	23.7
0 - 40	1391.7	25.8	44.1
0 - 60	1843.2	34.1	58.4
60 - 90	24.6	0.5	0.8
0 - 90	1867.8	34.6	59.1
90 - 180	1290.2	23.9	40.9
0 - 180	3158.2	58.5	100.0

COEFFICIENTS OF UTILIZATION

PCC PW RCR	80				70				50			10			0
	70	50	30	10	70	50	30	10	50	30	10	50	30	10	10
0	.64	.64	.64	.64	.60	.60	.60	.60	.52	.52	.52	.38	.38	.38	.35
1	.59	.57	.55	.54	.56	.54	.52	.51	.47	.46	.45	.35	.35	.34	.31
2	.55	.51	.48	.46	.52	.48	.46	.43	.43	.41	.39	.32	.31	.30	.28
3	.51	.46	.42	.40	.48	.44	.40	.38	.39	.36	.34	.30	.28	.27	.25
4	.47	.42	.38	.34	.44	.39	.36	.33	.35	.32	.30	.27	.26	.24	.22
5	.44	.38	.33	.30	.41	.36	.32	.29	.32	.29	.26	.25	.23	.22	.20
6	.40	.34	.30	.27	.38	.32	.28	.26	.29	.26	.24	.23	.21	.20	.18
7	.38	.31	.27	.24	.35	.29	.26	.23	.26	.26	.21	.21	.19	.18	.16
8	.35	.28	.24	.21	.33	.27	.26	.20	.24	.21	.19	.19	.17	.16	.15
9	.33	.26	.22	.19	.31	.25	.21	.18	.22	.19	.17	.18	.16	.14	.13
10	.30	.24	.20	.17	.29	.23	.19	.16	.20	.17	.15	.17	.15	.13	.12

Pendant Mounting Diagram



PENDANT MOUNT

Pendant mount version suspended with four aircraft cables, up to 78" in length. Aircraft cable is fully adjustable.

Installation instructions and ies files may be found at www.energielighting.com.