

# ASTRON SYMMETRIC

énergie™



## Catalog Number

### FIXTURE

AST- Astron Symmetric

### LAMPING

2T528 – (2) 28W T5

4T528 – (4) 28W T5

2T554 – (2) 54W T5 high output

4T554 – (4) 54W T5 high output

### VOLTAGE

120 – 120 Volt

277 – 277 Volt

### OPTIONS

DIM – Electronic dimming  
(54W only)

CSB – Custom supplied ballast

**EXAMPLE:** AST-2T554-120

## Specifications

### CONSTRUCTION

Center channel and housings are constructed of extruded aluminum alloy. Endcaps are constructed of die-cast aluminum and injection molded polycarbonate. Endcaps are attached with internal fasteners.

### FINISH

Center channel, housing and endcap bases finished in solvent-free, powdercoat metallic aluminum finish.

### SHIELDING

Acrylic wings are high-density extruded polycarbonate with smooth exterior and serrated interior. Lamps are shielded with an internal Miro2 anti-glare louver, with a 95% reflectance.

### ELECTRICAL

Specify 120 or 277 volt. Fixture and all electrical components are U.L./C.U.L. listed.

Dimming may be specified for the 54 watt version only. Supplied with internal electronic ballast.

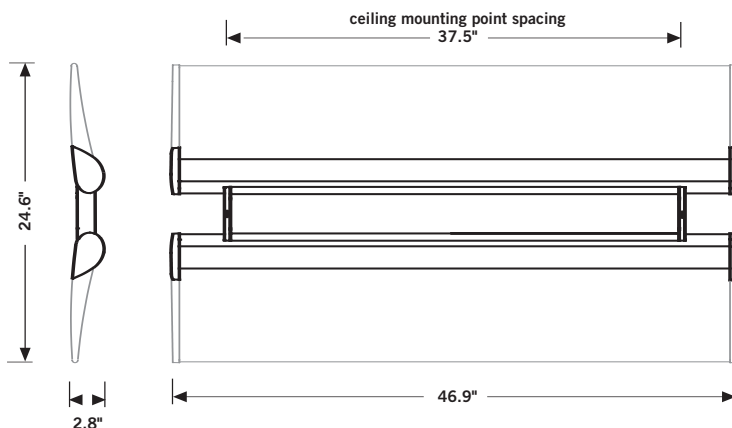
### LAMPING

Choice of (2) or (4) 28 watt T5 or 54 watt T5 high output fluorescent lamps. Lamps not included.

### MOUNTING

Fixture is supplied with fully adjustable aircraft cable.

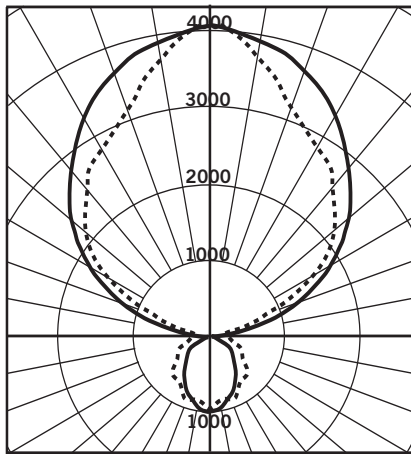
## Dimensions



# ASTRON SYMMETRIC

énergie™

## Photometrics



### CANDELA DISTRIBUTION

	0	45	90
0	993	993	993
5	936	960	970
15	854	845	883
25	872	795	780
35	711	691	601
45	727	596	498
55	577	468	366
65	483	356	255
75	390	266	127
85	288	175	23
95	211	151	168
105	492	508	885
115	1191	1384	1581
125	2004	1956	2142
135	2404	2422	2666
145	2806	2705	3136
155	3035	3117	3573
165	3507	3638	3851
175	3984	4001	4009
180	4082	4082	4082

### LUMINAIRE

**Description:** Four foot Astron Symmetric with 4 high output T5 lamps

**Catalog Number:** AST-4T554-120

**Efficiency:** 77.4%

### ZONAL LUMEN SUMMARY

ZONE	LUMENS	% LAMP	% FIXT
0 - 30	704.0	4.1	5.3
0 - 40	1135.8	6.6	8.5
0 - 60	2026.6	11.8	15.2
60 - 90	813.3	4.7	6.1
0 - 90	2839.8	16.5	21.3
90 - 180	10469.1	60.9	78.7
0 - 180	13309.0	77.4	100

### LUMINANCE (Candela / sq meter)

ANGLE	0-DEG	45-DEG	90-DEG
45	1254	1036	936
55	1164	955	833
65	1222	915	764
75	1376	960	584
85	1768	1121	238



### COEFFICIENTS OF UTILIZATION

PCC	80				70				50			10			0
	70	50	30	10	70	50	30	10	50	30	10	50	30	10	10
RCR															
0	.78	.78	.78	.78	.69	.69	.69	.69	.52	.52	.52	.23	.23	.23	.17
1	.70	.67	.64	.61	.62	.59	.57	.54	.45	.43	.42	.20	.19	.19	.13
2	.64	.58	.54	.50	.56	.52	.48	.44	.39	.37	.34	.17	.16	.15	.11
3	.58	.51	.45	.41	.51	.45	.41	.37	.34	.31	.29	.15	.14	.13	.09
4	.53	.45	.39	.34	.47	.40	.35	.31	.30	.27	.24	.13	.12	.11	.07
5	.48	.40	.34	.29	.43	.35	.30	.26	.27	.23	.21	.12	.11	.09	.06
6	.45	.36	.29	.25	.39	.32	.26	.23	.24	.21	.18	.11	.09	.08	.06
7	.41	.32	.26	.22	.36	.28	.23	.20	.22	.18	.16	.10	.08	.07	.05
8	.38	.29	.23	.19	.33	.26	.21	.17	.20	.16	.14	.09	.08	.06	.04
9	.35	.26	.21	.17	.31	.22	.19	.15	.18	.15	.12	.08	.07	.06	.04

Installation instructions and ies files may be found at [www.energielighting.com](http://www.energielighting.com).

Energie LLC, 405 Urban Street, Ste 402 Lakewood, CO 80228 Tel 720 963 8055 Fax 720 963 8044 [www.energielighting.com](http://www.energielighting.com)

In an effort to continually improve our products, we reserve the right to change or modify designs and/or materials without prior notice.

All rights reserved. These products may be covered by one or more U.S. or international patents or patents pending. 1/04



# ASTRON ASYMMETRIC

énergie™



## Catalog Number

### FIXTURE

ASM- Astron Asymmetric

### LAMPING

1T528 – (1) 28W T5

2T528 – (2) 28W T5

1T554 – (1) 54W T5 high output

2T554 – (2) 54W T5 high output

### VOLTAGE

120 – 120 Volt

277 – 277 Volt

### OPTIONS

DIM – Electronic dimming  
(54W only)

**EXAMPLE:** ASM-1T554-120

## Specifications

### CONSTRUCTION

Center channel and housings are constructed of extruded aluminum alloy. Endcaps are constructed of die-cast aluminum and injection molded polycarbonate. Endcaps are attached with internal fasteners.

### FINISH

Center channel, housing and endcap bases finished in solvent-free, powdercoat metallic aluminum finish.

### SHIELDING

Acrylic wings are high-density extruded polycarbonate with smooth exterior and serrated interior. Lamp is shielded with an internal Miro2 anti-glare louver with a 95% reflectance.

### ELECTRICAL

Specify 120 or 277 volt. Fixture and all electrical components are U.L./C.U.L. listed. Supplied with internal electronic ballast. Dimming may be specified for the 54 watt version only.

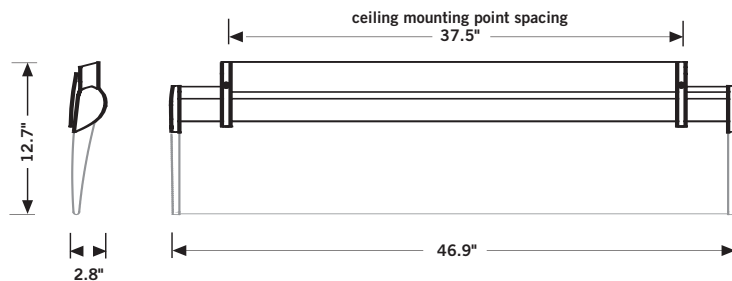
### LAMPING

Choice of (1) or (2) 28 watt T5 or 54 watt T5 high output fluorescent lamp(s). Lamp(s) not included.

### MOUNTING

Fixture is supplied with fully adjustable aircraft cable.

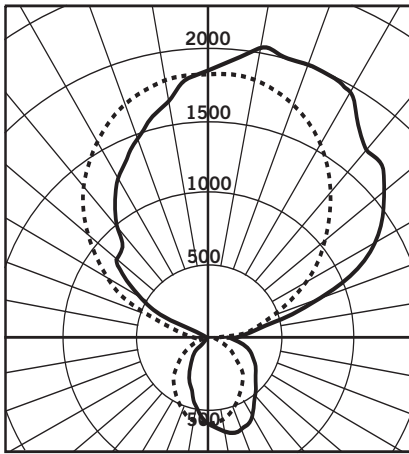
## Dimensions



# ASTRON ASYMMETRIC

énergie™

## Photometrics



### CANDELA DISTRIBUTION

	0	45	90
0	588	588	588
5	628	611	586
15	671	640	552
25	651	611	485
35	553	549	411
45	469	454	329
55	411	358	221
65	350	277	124
75	293	194	49
85	202	121	13
95	148	108	69
105	575	546	312
115	1128	972	622
125	1468	1286	937
135	1707	1483	1224
145	1799	1789	1458
155	2001	1864	1639
165	2003	2009	1764
175	1908	1859	1832
180	1839	1839	1839

### LUMINAIRE

**Description:** Four foot Astron Asymmetric with 2 high output T5 lamps

**Catalog Number:** ASM-2T554-120

**Efficiency:** 76.6%

### ZONAL LUMEN SUMMARY

ZONE	LUMENS	% LAMP	% FIXT
0 - 30	438.0	4.8	6.3
0 - 40	676.9	7.6	9.9
0 - 60	1115.0	12.5	16.4
60 - 90	342.5	3.8	5.0
0 - 90	1457.5	16.4	21.4
90 - 180	5361.0	60.2	78.6
0 - 180	6168.6	76.6	100

### LUMINANCE (Candela / sq meter)

ANGLE	0-DEG	90-DEG	180-DEG
45	1801	1528	399
55	1778	1237	209
65	1798	911	134
75	1923	541	104
85	1921	312	103



### COEFFICIENTS OF UTILIZATION

PCC	80				70				50			10			0
	70	50	30	10	70	50	30	10	50	30	10	50	30	10	10
RCR															
0	.77	.77	.77	.77	.68	.68	.68	.68	.52	.52	.52	.23	.23	.23	.16
1	.70	.67	.64	.61	.62	.59	.57	.54	.45	.43	.42	.20	.19	.19	.13
2	.63	.58	.54	.50	.56	.51	.48	.45	.39	.37	.34	.17	.17	.16	.11
3	.58	.51	.46	.41	.51	.45	.41	.37	.35	.31	.29	.15	.14	.13	.09
4	.53	.45	.39	.35	.47	.40	.35	.31	.31	.27	.25	.14	.13	.12	.08
5	.48	.40	.34	.30	.43	.36	.31	.27	.27	.24	.21	.12	.11	.10	.07
6	.45	.36	.30	.26	.39	.30	.27	.23	.25	.21	.18	.11	.10	.09	.06
7	.41	.32	.26	.22	.36	.29	.24	.20	.22	.19	.16	.10	.09	.08	.06
8	.38	.29	.23	.20	.34	.26	.21	.18	.20	.17	.14	.09	.08	.07	.05
9	.35	.26	.21	.17	.31	.24	.19	.16	.18	.15	.13	.09	.07	.06	.05

Installation instructions and ies files may be found at [www.energielighting.com](http://www.energielighting.com).

Energie LLC, 405 Urban Street, Ste 402 Lakewood, CO 80228 Tel 720 963 8055 Fax 720 963 8044 [www.energielighting.com](http://www.energielighting.com)

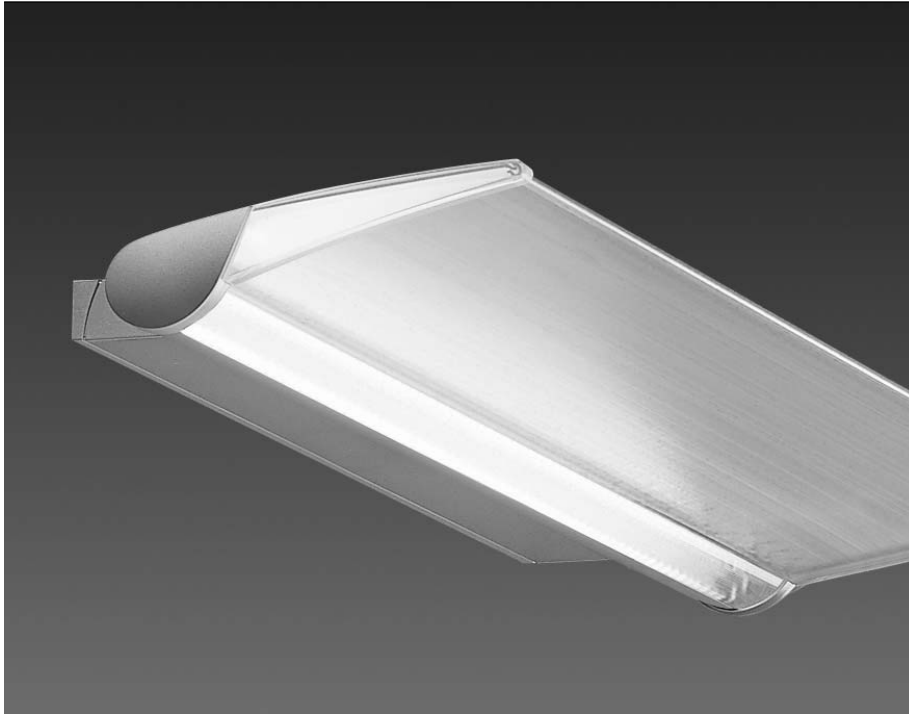
In an effort to continually improve our products, we reserve the right to change or modify designs and/or materials without prior notice.

All rights reserved. These products may be covered by one or more U.S. or international patents or patents pending. 1/04



# ASTRON WALL

énergie™



## Catalog Number

### FIXTURE

ASW – Astron Wall

### LAMPING

1T528 – (1) 28W T5

2T528 – (2) 28W T5

1T554 – (1) 54W T5 high output

2T554 – (2) 54W T5 high output

### VOLTAGE

120 – 120 Volt

277 – 277 Volt

### OPTIONS

DIM – Electronic dimming  
(54W only)

**EXAMPLE:** ASW-1T554-120

## Specifications

### CONSTRUCTION

Center channel and housings are constructed of extruded aluminum alloy. Endcaps are constructed of die-cast aluminum and injection molded polycarbonate. Endcaps are attached with internal fasteners.

### FINISH

Center channel, housing and endcap bases finished in solvent-free, powder coat metallic aluminum finish.

### SHIELDING

Acrylic wings are high-density extruded polycarbonate with smooth exterior and serrated interior. Lamp is shielded with an internal Miro2 anti-glare louver with a 95% reflectance.

### ELECTRICAL

Specify 120 or 277 volt. Fixture and all electrical components are U.L. listed. Dimming may be specified for the 54 watt version only.

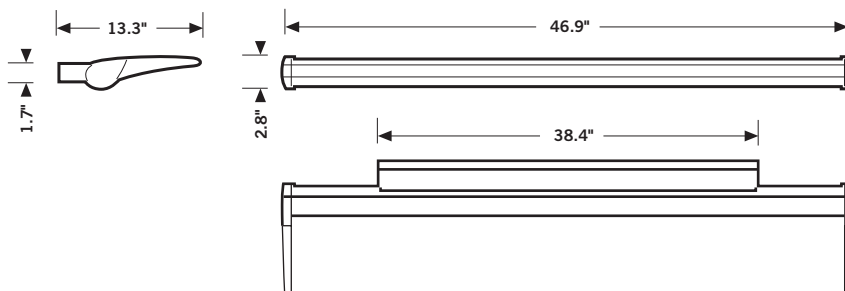
### LAMPING

Choice of (1) or (2) 28 watt T5 or 54 watt T5 high output fluorescent lamp(s). Lamp(s) not included.

### MOUNTING

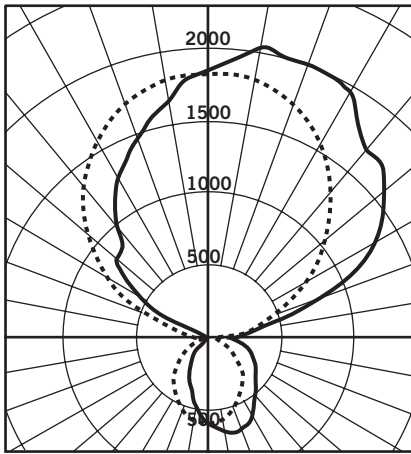
Fixture mounts to Energie junction box. See reverse for detail.

## Dimensions



# ASTRON WALL

## Photometrics



### CANDELA DISTRIBUTION

	0	45	90
0	588	588	588
5	628	611	586
15	671	640	552
25	651	611	485
35	553	549	411
45	469	454	329
55	411	358	221
65	350	277	124
75	293	194	49
85	202	121	13
95	148	108	69
105	575	546	312
115	1128	972	622
125	1468	1286	937
135	1707	1483	1224
145	1799	1789	1458
155	2001	1864	1639
165	2003	2009	1764
175	1908	1859	1832
180	1839	1839	1839

### LUMINAIRE

**Description:** Four foot Astron Wall mount with 2 high output T5 lamps

**Catalog Number:** ASW-2T554-120

**Efficiency:** 76.6%

### ZONAL LUMEN SUMMARY

ZONE	LUMENS	% LAMP	% FIXT
0 - 30	438.0	4.8	6.3
0 - 40	676.9	7.6	9.9
0 - 60	1115.0	12.5	16.4
60 - 90	342.5	3.8	5.0
0 - 90	1457.5	16.4	21.4
90 - 180	5361.0	60.2	78.6
0 - 180	6168.6	76.6	100

### LUMINANCE (Candela / sq meter)

ANGLE	0-DEG	90-DEG	180-DEG
45	1801	1528	399
55	1778	1237	209
65	1798	911	134
75	1923	541	104
85	1921	312	103

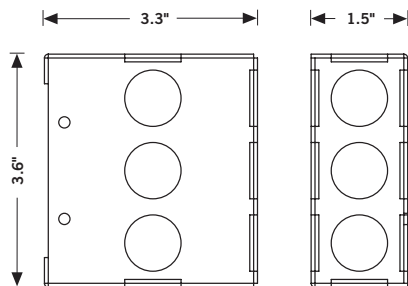


### COEFFICIENTS OF UTILIZATION

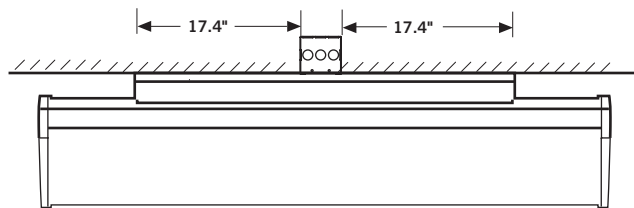
PCC	80				70				50			10			0
	70	50	30	10	70	50	30	10	50	30	10	50	30	10	0
RCR															
0	.77	.77	.77	.77	.68	.68	.68	.68	.52	.52	.52	.23	.23	.23	.16
1	.70	.67	.64	.61	.62	.59	.57	.54	.45	.43	.42	.20	.19	.19	.13
2	.63	.58	.54	.50	.56	.51	.48	.45	.39	.37	.34	.17	.17	.16	.11
3	.58	.51	.46	.41	.51	.45	.41	.37	.35	.31	.29	.15	.14	.13	.09
4	.53	.45	.39	.35	.47	.40	.35	.31	.31	.27	.25	.14	.13	.12	.08
5	.48	.40	.34	.30	.43	.36	.31	.27	.27	.24	.21	.12	.11	.11	.07
6	.45	.36	.30	.26	.39	.30	.27	.23	.25	.21	.18	.11	.10	.10	.06
7	.41	.32	.26	.22	.36	.29	.24	.20	.22	.19	.16	.10	.09	.08	.06
8	.38	.29	.23	.20	.34	.26	.21	.18	.20	.17	.14	.09	.08	.07	.05
9	.35	.26	.21	.17	.31	.24	.19	.16	.18	.15	.13	.09	.07	.06	.05

## Mounting

### DIMENSIONS



### TOP VIEW



Energy junction box supplied to allow the fixture to be mounted flush against the wall with no exposed mounting plate.

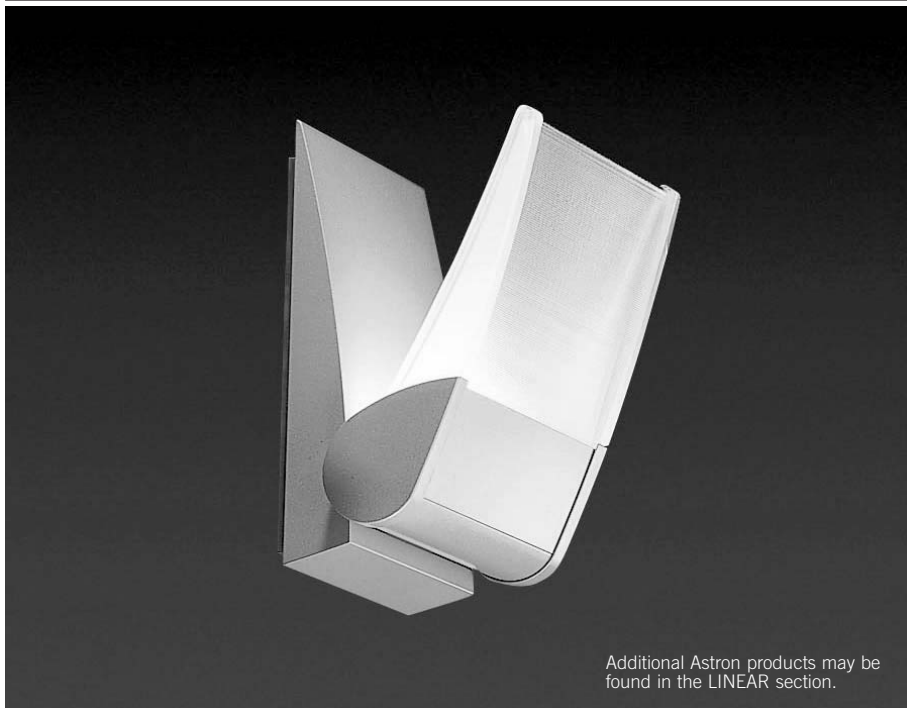
Energy junction box may be shipped prior to the full lighting fixture shipment. Consult factory for specific Energy junction box dimensions and details.

Installation instructions and ies files may be found at [www.energielighting.com](http://www.energielighting.com).



# ASTRON SCONCE

énergie®



Additional Astron products may be found in the LINEAR section.

## Catalog Number

### FIXTURE

ASC- Astron Sconce

### VOLTAGE

120 – 120 Volt

277 – 277 Volt

**EXAMPLE:** ASC-120

## Specifications

### CONSTRUCTION

Backplate is formed steel and housing is aluminum alloy. Endcaps are constructed of die-cast aluminum and injection molded polycarbonate. Endcaps are attached with internal fasteners.

### FINISH

Backplate and housing are finished in solvent-free, powder coat metallic aluminum finish.

### SHIELDING

Acrylic wing is high-density extruded polycarbonate with smooth exterior and serrated interior. Lamp is shielded with an internal Miro2 anti-glare louver with a 95% reflectance.

### ELECTRICAL

Specify 120 or 277 volt. Fixture and all electrical components are U.L./C.U.L. listed.

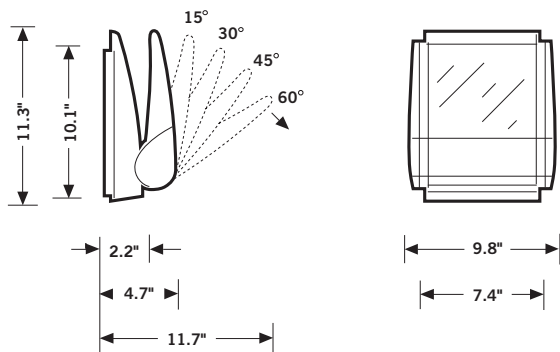
### LAMPING

Single 32 watt triple-tube fluorescent lamp. Lamp not included.

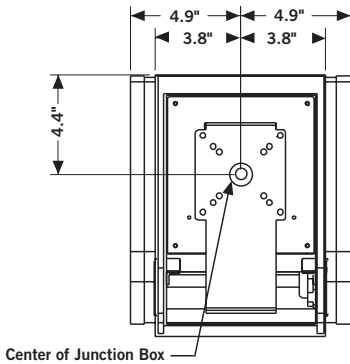
### MOUNTING

Fixture mounts to a standard junction box by others. See reverse for detail.

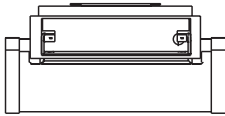
## Dimensions



## Mounting Information



Astron sconce mounts to standard 4-square junction box (by others) recessed flush to the wall surface.



Installation instructions may be found at [www.energielighting.com](http://www.energielighting.com).